

UHF Desktop Reader SPEC

HYR851



Brief Introduction

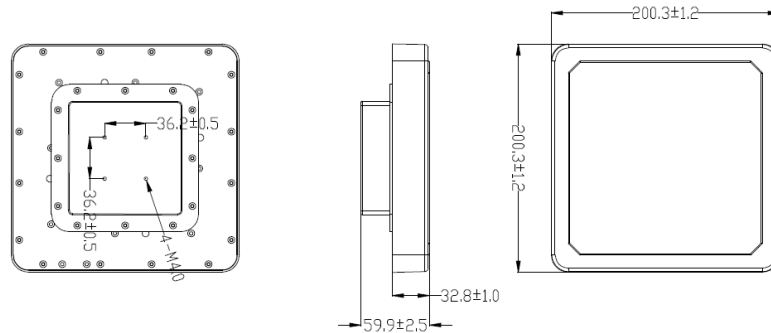
- HYR851 adopts Impinj R2000 module, Max. power output is 30dbm
- Built-in narrow band 6dbi circular polarization antenna, reading distance up to 6 meters
- Reading speed is 400tags/s
- Standard interfaces as RJ45, RS232, GPIO_IN*1, GPIO_OUT*2, meet different client's requirements.
- Standard power supply is 12V DC. Optional power supply is POE and 12VDC.
- Built-in hardware watchdog and interface protection circuit, suitable for complex industrial application environment.

Technical Specifications

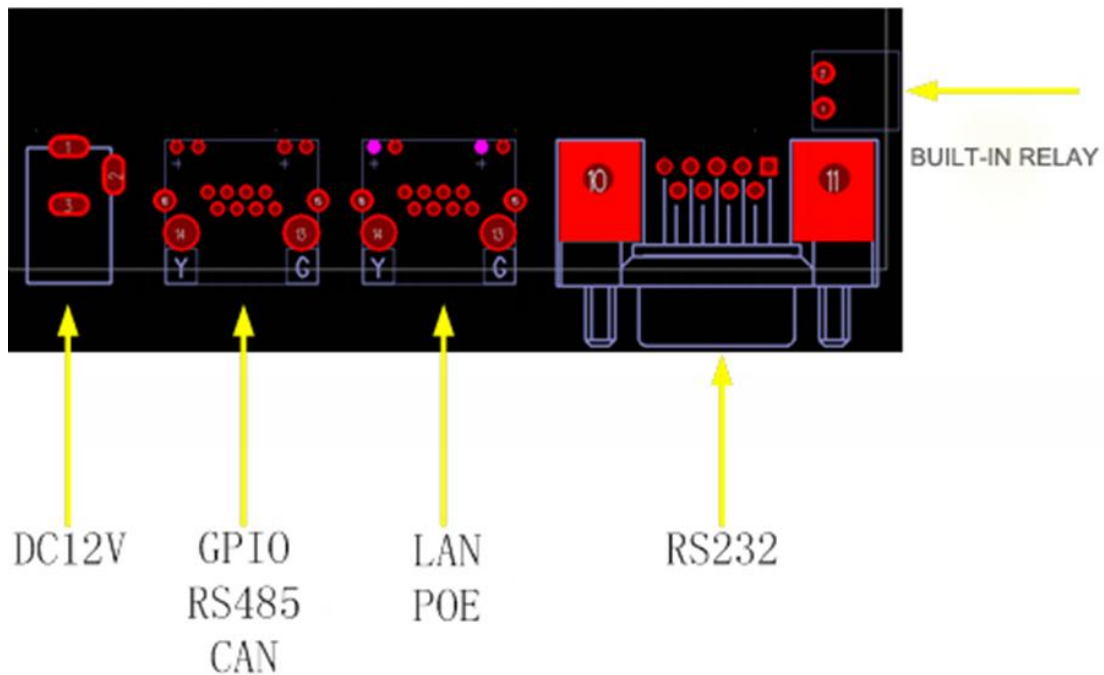
S/N	Item	Parameters	Unit	Remark
1	Operating voltage	12	V	
		48	V	802.3af POE
2	Max. power consumption	10	W	
3	Standby current	≤100	mA	
4	Frequency range	840-960	MHz	Default:902-928MHz, customized optional
5	Default operating frequency	Frequency hopping	MHz	Frequency interval 250KHz
6	Channel bandwidth	250	KHz	
7	Frequency hopping speed	≤2	s	
8	Maximum power output	30	dBm	EIRP 4W
9	Step interval	1	dB	5~30dBm adjustable by software
10	Air protocol	EPC C1G2 /ISO18000-6C		
11	Radio-frequency power rising time	≤500	μs	
12	Radio-frequency power dropping time	≤500	μs	
13	Adjacent channel power leaking ratio	≤-40	dB	±1CH
		≤-60	dB	±2CH
14	Frequency stabilizing ratio	±10	ppm	-25℃~+40℃
		±20	ppm	-40℃~+60℃
15	Multi-Label	>400/s		

Appearance and structure

- Size(L*W*H): 200x200x60mm



External Interface



RJ45 Interface Definition

S/N	Item	Technical data	Unit	remark
Pin	Signal name	Signal direction	Function/compatibility description	
1	GPIO1	output	Wiegand option	Optical isolation
2	GPIO2	output	Wiegand option	Optical

				isolation
3	GPIO3	input		Optical isolation
4	CANH SP3485_B			
5	CANL SP3485_A			
6	GND			
7	GND			
8	GND			

Environment Requirement

S/N	Item	Parameters	Unit	Remark
1	Working temperature	-20~+60	°C	
2	Storage temperature	-40~+85	°C	
3	Relative humidity	5%~95%	RH	Non-Condensing